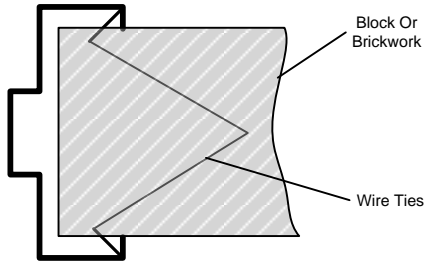
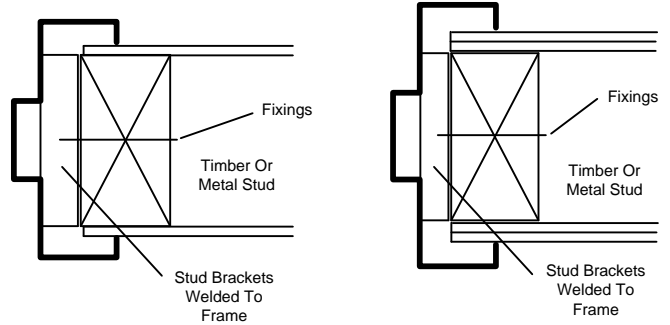


DOOR FRAME DETAILS AND FIXING OPTIONS

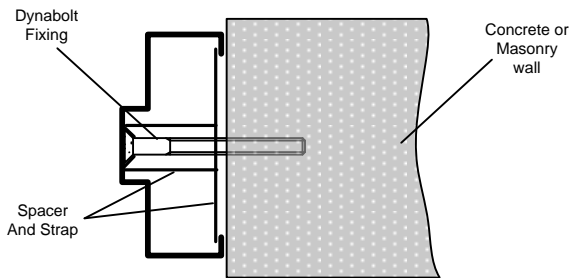
Wire Ties For Block/Brickwork



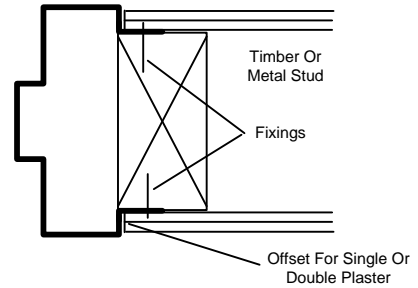
Stud Brackets For Stud Walls



Dynabolt Fixings For Masonry



Optional Profile For Stud Walls



Fire door frames must be backfilled with Mortar or Plaster to comply with AS 1530.4

Standard Frame Details

