

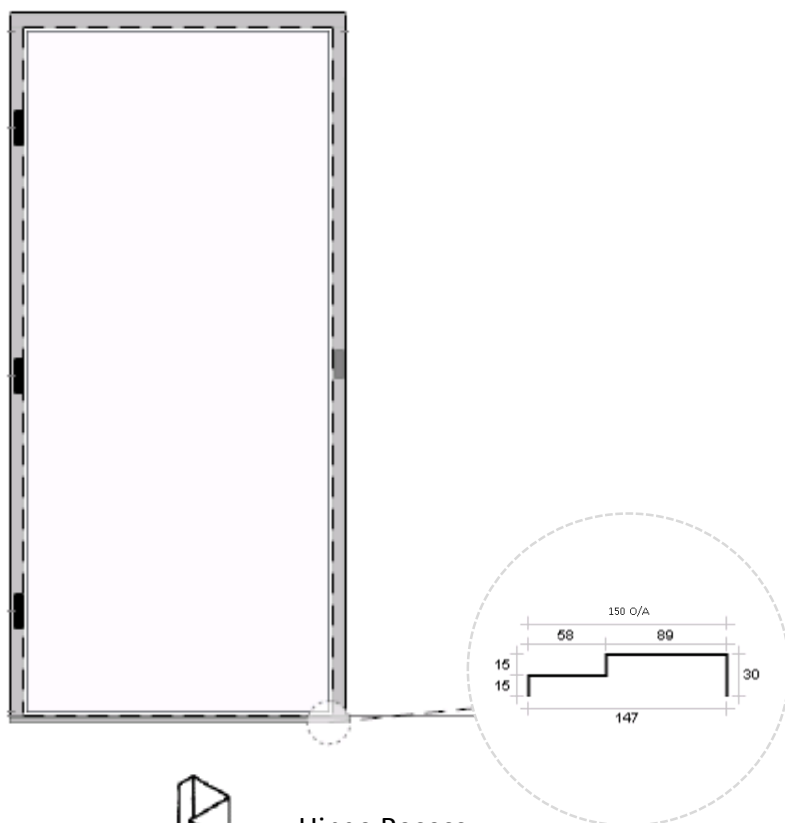
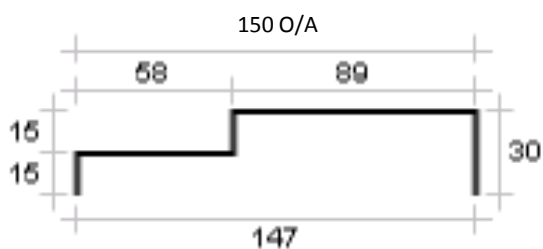
FRAME PROFILE BOTTOM Q-SILL

Door Bottom SILL - 41 Rebate

QSIL-41

A Q-SILL is used on the bottom of a cast in frame profile

QSIL-41 is to match side jambs that have 41 rebate & hinge recess

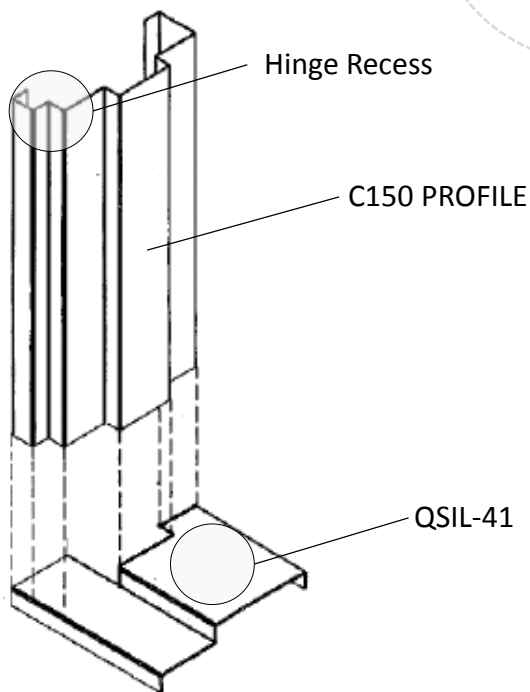
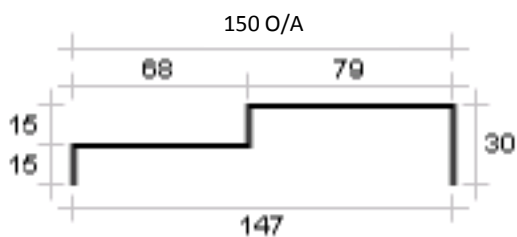


Door Bottom SILL - 51 Rebate

QSIL-51

A Q-SILL is used on the bottom of a cast in frame profile

QSIL-51 is to match side jambs that have 51 rebate & hinge recess



Example Only