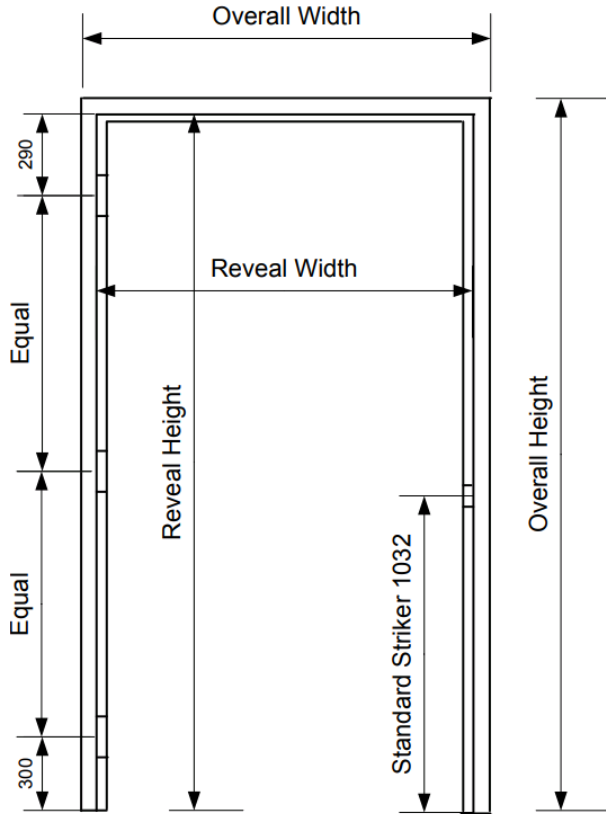
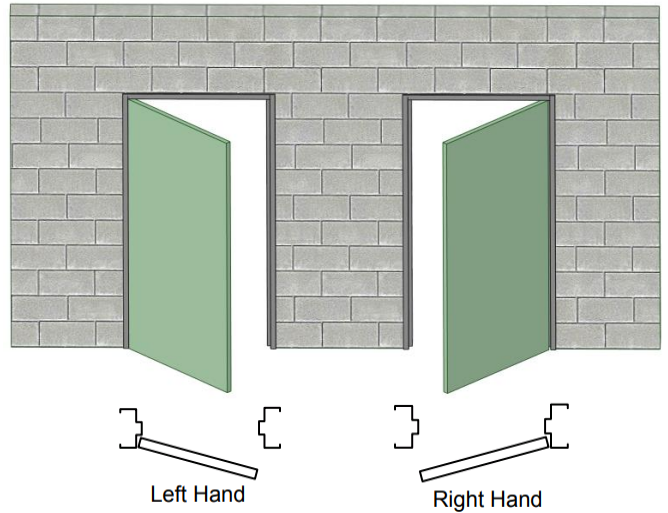


STANDARD FRAME DETAILS



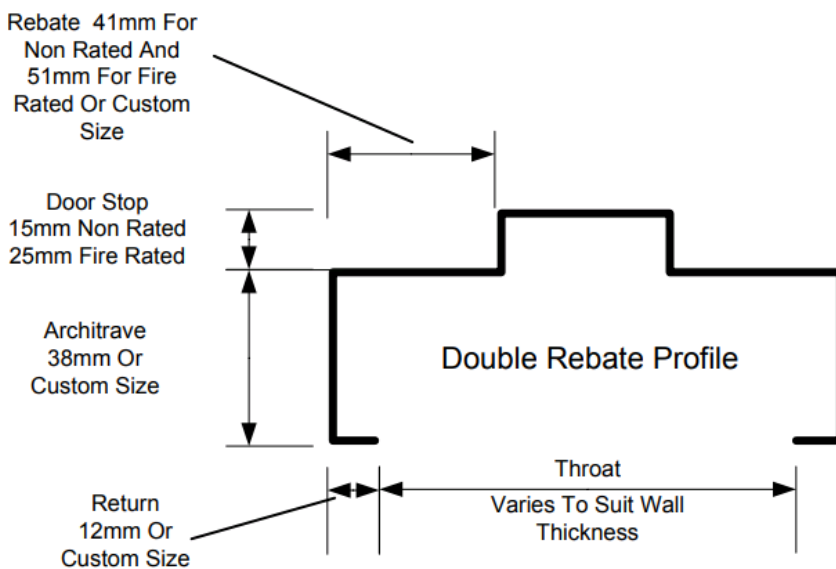
Handing Details



Eg: Pulling the door towards you,

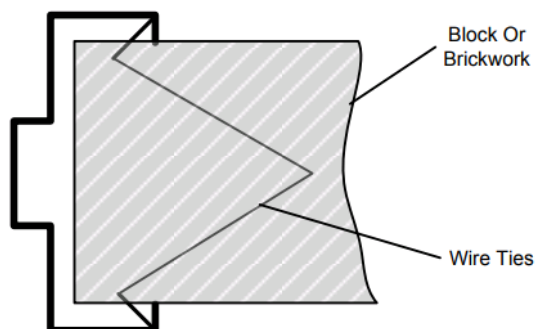
Are the hinges on the Left or Right?

If the hinges are on the Left the handing is, Left Hand (as drawn above)

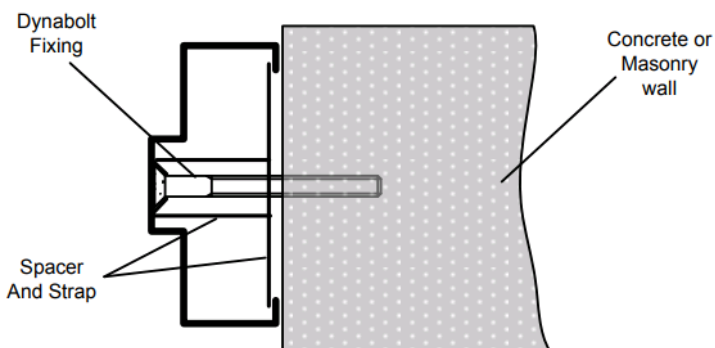


FRAME FIXING

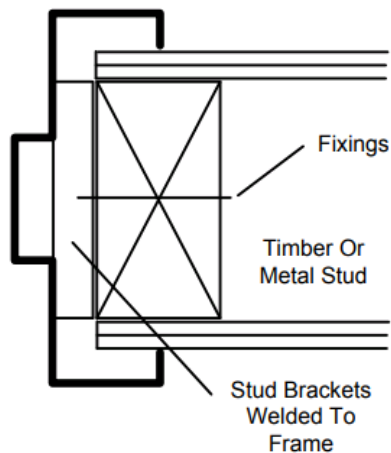
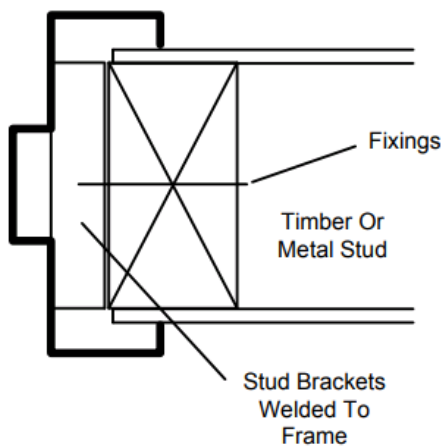
Wire Ties



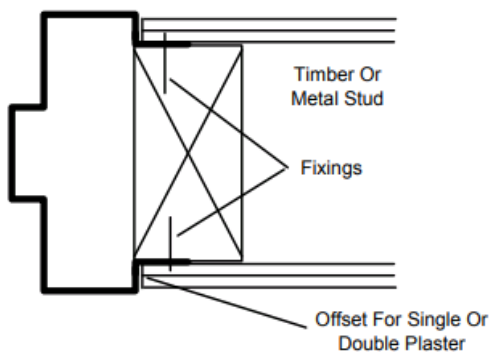
Dynabolt Fixings



Stud Brackets



Concealed Return Fix



Fire door frames must be backfilled with Mortar or Plaster to comply with AS1530.4